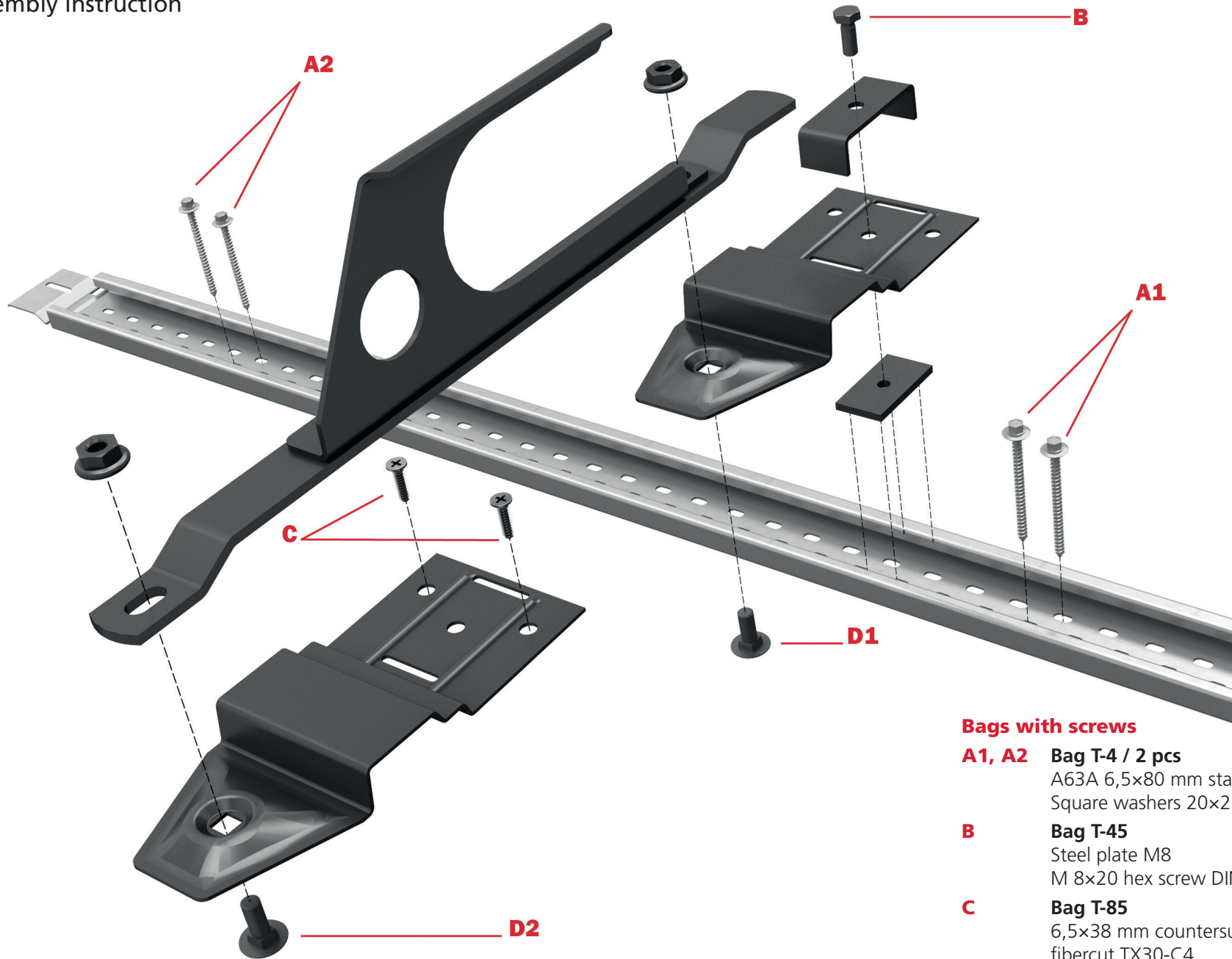


Safety hook / Sicherheitsdachhaken / Sikringskrok

Assembly instruction



Bags with screws

A1, A2 Bag T-4 / 2 pcs

A63A 6,5x80 mm stainless screw – 2 pcs
Square washers 20x25x5 mm, steel – 4 pcs

B Bag T-45

Steel plate M8 – 1 pcs
M 8x20 hex screw DIN933 A2 – 1 pcs

C Bag T-85

6,5x38 mm countersunk wood screw
fibercut TX30-C4 – 2 pcs

D1, D2 Bag T-100 / 2 pcs

M 10x35 carriage bolt DIN603 A2 – 1 pcs
M 10 Flange nut DIN 6923 A2 serr – 1 pcs